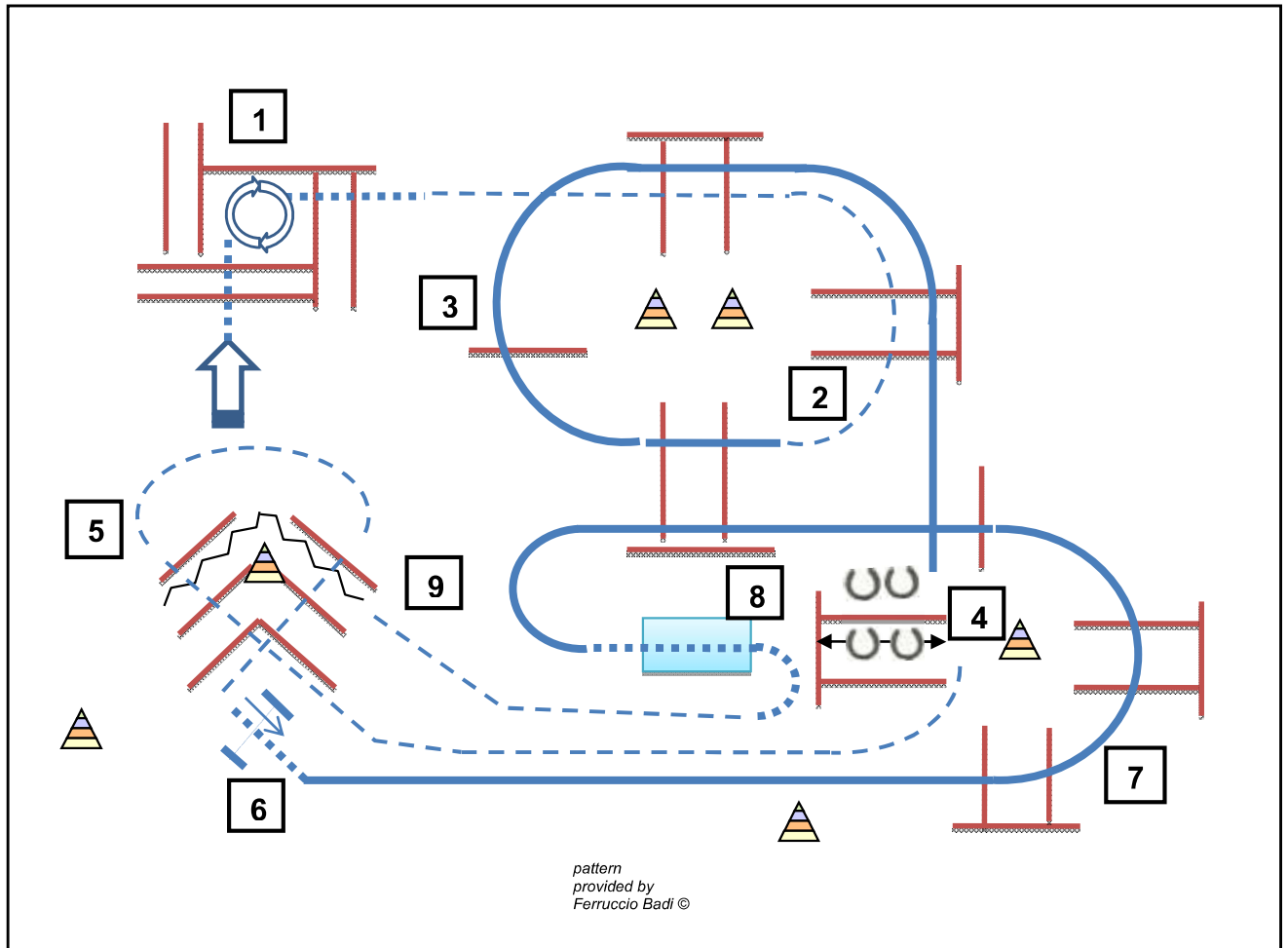




Trail Horse



OPEN



..... Walk

 marker

- - - jog,

 lope

 back,

Pattern:

1. walk over and enter the box, 1 1/4 turn to the right, walk over
2. jog over
3. right lope over, stop
4. side pass right and left
5. jog over
6. gate
7. left lope over
8. walk the bridge, and walk over
9. jog, turn and back "L"